



Overview:

- Radiation safe
- High resolution, high penetration and good image quality
- Multilingual operation
- Automatic built in test and self diagnosis
- Threat alert and material classification
- Energy saving design
- One key turn off with patent
- Drugs and explosives detection

Models Available

| MODEL | STEEL PENETRATION | X-Ray Generator |
|-----------|-------------------|-----------------|
| 2MX-6040 | 32mm | 140kv |
| 2MX-6040H | 38mm | 160kv |

Overview:

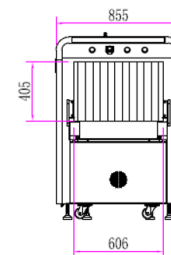
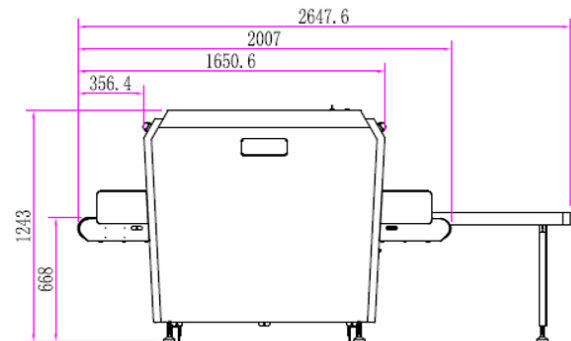
| PHYSICAL SPECIFICATIONS | |
|---------------------------------------|--|
| Tunnel Size | 606 x 405 (mm)/23.9" x 15.9" (in.) |
| Unit Weight | 455 kg/1003.1 lbs |
| Unit Size (LxWxH) | 79" x 33.7" x 48.9" (in.)/ 2007 x 855 x 1243 (mm) |
| Gross Weight | 1102.31lbs/500 kg |
| Packing Size | #1: 86.6" x 39.8" x 61.4" (in.)/550 x 101 x 156 (cm) #2: 33.9" x 33.9" x 55.9" (in.)/86 x 86 x 142 (cm) #3: 26.4" x 30.3" x 4.7" (in.)/67 x 77 x 12 (cm) |
| GENERAL SPECIFICATIONS | |
| Conveyor Speed | 0.22 m/s forward or backward |
| Conveyor Height | 668 mm / 26.3" in. |
| Conveyor Capacity | 150 kg / 330.7 lbs |
| Frame Design | 304 stainless steel, 2-5 mm cold rolled plate and square steel, double-layer staggered lead impregnated safety curtain |
| X-Ray Dose/Inspection | ≤2.5μSv |
| X-Ray Leakage | ≤1μSv/h at any point 5 cm outside the external surface. FDA standard is ≤5μSv/h |
| Steel Penetration | 30mm / 1.2" in. guaranteed |
| Wire Resolution | AWG40 guaranteed |
| Penetration Resolution | AWG32 guaranteed |
| Spatial Resolution: | 1.0 mm Horizontal, 1.0 mm Vertical |
| Power Consumption | Max. 0.8KW |
| Noise | <60 dB |
| Film Safety | Guarantee ASA/ISO1600 Film |
| X-RAY GENERATOR (SINGLE) | |
| Anode Voltage | 140KV |
| Ray Direction | Upward |
| Cooling / Duty Cycle | Sealed oil cooling /100% |
| COMPUTER AND OTHER | |
| Monitor | One 17" in. LCD monitors, 1280 x 1024 |
| Console | No |
| CPU | Intel (R) i3 (R) 3.3GHz |
| RAM | 4GB |
| Hard Disk | 2TB |
| Keyboard | Special design |
| Platform | Windows [®] 10 |
| Backup | Uninterrupted Power Supply (UPS) |
| Electric Roller | Three-phase |
| OPERATING ENVIRONMENT | |
| Operation Temperature/Humidity | 5°C to 40°C (41°F to 104°F)/0%-90% (non-condensing) |
| Storage Temperature/Humidity | -20°C to 60°C (-4°F to 140°F)/10%-90% (non-condensing) |
| Operation Power | 220V(+10% ~ -15%) 50±3Hz Options: 100-130V, 200-250V, 60Hz |
| UPS | Options: 15mins, 30mins, 60mins etc |
| IMAGING SYSTEM | |
| Detector | 1152 channels in an L-Shaped Array |

| | |
|--------------------------------------|---|
| Image Processing | Color / black and white imaging, local enhancement, high penetration, low penetration, super enhancement, organic stripping, inorganic stripping, reverse color, brightening, darkening, gray level change/variable contrast, continuously zoom maximum 64x, pseudo color imaging, organics enhancement, suspicious item alarm and notation, edge enhancement imaging, etc. |
| Suspicious Alarm | Alarm and box line the suspicious objects including hard to penetrate material, explosives and drugs |
| Threat Image Projection (TIP) | Inserting fictional, but realistic images of threat items into baggage during screening operation, for maintenance of vigilance, as well as training and assessment of image identification capability |
| Image Recall | 30 recallable images |
| Image Archive | Up to 50,000 images stored automatically, enable transferring to USB disk, and converting to JPG, BMP and other formats |
| Miscellaneous Functions | Time/date display, counters, user management, system-on/x-ray-on timers, power on self test, built-in diagnostic facilities, bi-directional scanning, forced scanning, image search and export, system setting, system log, system standby and stimulant training, etc. |
| Options | Intelligent roller, remote work station, network integration, video monitoring, face recognition and baggage integration, recheck station, additional roller table, etc. |

Imaging



Dimensions



*Product specifications and availability are subject to change without notice.