



Features

- Support Ultra 265/H.265/H.264 video formats
- 8-channel input
- Plug & Play with 8 independent PoE network interfaces
- Third-party IP cameras supported with ONVIF conformance: Profile S, Profile G, Profile T
- Support 1-ch HDMI, 1-ch VGA
- HDMI and VGA simultaneous output
- Up to 2MP resolution recording
- 1 SATA HDD, up to 10 TB
- Support cloud upgrade

Specifications

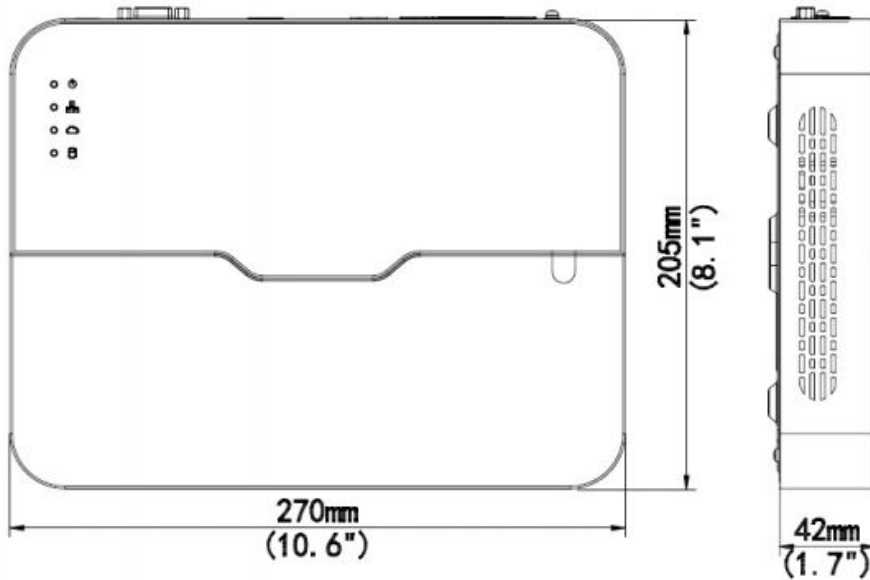
Video/Audio Input	
IP Video Input	8-ch
Network	
Incoming Bandwidth	32 Channel
Outgoing Bandwidth	1 Channel Input, 1 Channel Output, RCA
Remote Users	128
Protocols	P2P, UPnP, NTP, DHCP, PPPoE

Video/Audio Output	
HDMI/VGA Output	HDMI: 1920x1080p/60Hz, 1920x1080p/50Hz, 1600x1200/60Hz, 1280x1024/60Hz, 1280x720/60Hz, 1024x768/60Hz VGA: 1920x1080p/60Hz, 1920x1080p/50Hz, 1600x1200/60Hz, 1280x1024/60Hz, 1280x720/60Hz, 1024x768/60Hz
Recording Resolution	1080p/960p/720p/D1/2CIF/CIF
Synchronous Playback	8-ch
Corridor Mode Screen	3/4/5/7/9
Decoding	
Decoding format	Ultra 265/H.265/H.264
Liveview/Playback	1080p/960p/720p/D1/2CIF/CIF
Capability	4 x 1080p@20, 4 x 720p@30
Hard Disk	
SATA	1 SATA interface
Capacity	up to 10TB for each disk
External Interface	
Network Interface	1 RJ45 10M/100M self-adaptive Ethernet Interface
USB Interface	Rear panel: 2 x USB2.0
PoE	
Interface	8 independent 100 Mbps PoE network interfaces
Max Power	Max 30W for single port Max 108W in total (13.5W for each)
Supported Standard	IEEE 802.3at, IEEE 802.3af
GENERAL	
Power Supply	52V DC Power Consumption: ≤5.5 W (without HDD)
Working Environment	-10°C~+55°C (+14°F~+131°F), Humidity ≤ 90% RH (non-condensing)
Dimension (WxDxH)	270mm × 205mm × 42mm (10.6"×8.1"×1.7")
Weight (without HDD)	0.7kg (1.54lb)

2MN-6008-P8-E

8-ch 1-SATA Ultra 265/H.265/H.264 NVR

Dimension (mm)



Rear Panel

