

Specifications

PHYSICAL SPECIFICATIONS	
Unit Weight	300 kg/661.4 lbs
Unit Size (LxWxH)	1660 x 746 x 1165 (mm)/65.4" x 29.4" x 45.9" (in)
Gross Weight	400 kg / 881.8 lbs
Packing Size	179 x 87 x 137 (cm)/70.5" x 34.3" x 53.9" (in)
GENERAL SPECIFICATIONS	
Tunnel Size (LxW)	503 x 295.5 (mm)/1.65' x 0.97' (ft)
Conveyor Speed	0.22 m/s
Conveyor Height	663.5 mm / 26.1" (in)
Conveyor Max Load	100 kgs /
X-ray Dose Per Each Inspection	≤2.5μGy
X-ray Leakage	≤1μSv/h at any point 5 centimeters outside the external surface
Penetration	32mm steel
Wire Resolution	dia 0.0787mm copper wire (AWG40)
Penetration Resolution	dia 0.202mm copper wire (AWG32) under three-step aluminum wedge 9.5mm, 15.9mm, 22.2mm
Spatial resolution:	Horizontal: dia 1.0mm, Vertical: dia 1.0mm
Power Consumption	Max. 500W
Noise	<60 dB
Film Safety	Guarantee ASA/ISO1600 Film
X-RAY GENERATOR (SINGLE)	
Anode Voltage	140 KV
Ray Direction	Upward
Cooling / Duty Cycle	Sealed oil cooling /100%
IMAGING SYSTEM	
X-ray Sensor	L-Shaped Photo diode Array, 12bit deep
Image Processor	24bit real time processing, 4 color analysis, Images displayed stamped with date and ID number, baggage counter
Image Display	High resolution of 1024x1280 pixel; Image Grey Level: 4096
Image Enhancement	1-64times enlargement continuity, Color/BW, negative, high/low penetration enhancement, brightening, darkening, gray level scan, super enhancement, elimination of organics/inorganic, local enhancement, pseudo color processing, edge enhancement, etc.
Explosives & Narcotics Detection	Suspect organics highlight (atomic number Zeff=7,8,9)
Suspect Alarm	Audible alarm and box will outline the suspicious object(s) on the screen to include hard to penetrate materials, explosives and drugs
Threat Image Projection (TIP)	Insertion of fictional but realistic images of threatening items into baggage during screening operation for training purposes to assess image identification capabilities
Image Recall	30 recallable images
Image Archive	Up to 100,000 images stored automatically, can be transferred to a USB disk, and converted to JPG, BMP and other general formats
Miscellaneous Functions	Time/date display, counters, user management, system-on/X-ray-on timers, power on self test, built-in diagnostic facilities, system log, system standby and simulated real-world training, etc.



Features:

- Multilingual operation
- Automatic built-in test and self-diagnosis
- Secure access Key
- Threat alert and material classification
- Auto archiving
- One key turn off
- Drugs and explosives inspection
- Indication of the date and time
- Baggage counter
- Detect PCB board
- USA Sensortech Extension Rollers, customize size length
- Support card reader operator access
- CD DVR/RW unit: Optional Computer system: XP system UPS: 15mins, 30mins, 60mins etc,
- Windows 10, Dual energy
- Options: Extension rollers, intelligent roller, UPS, Spellman generator, etc.
- No console available
- Uninterruptible power supply (UPS)
- Energy Saving Design

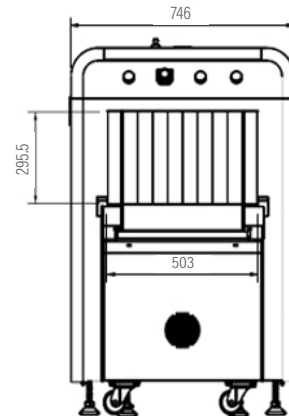
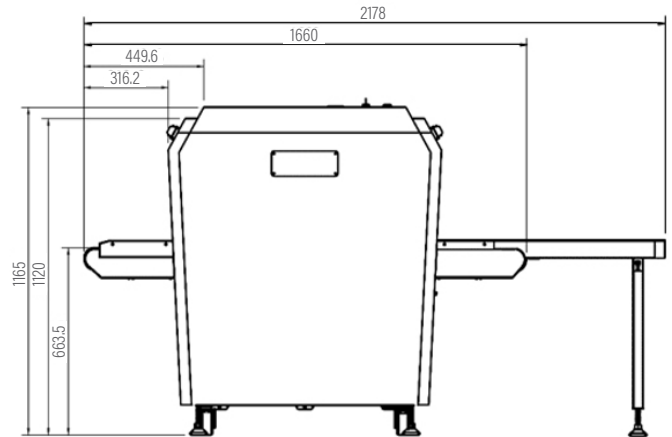
Models Available

MODEL	STEEL PENETRATION	X-Ray Generator
2MX-5030	32mm	140kv
2MX-5030H	38mm	160kv



Options	Intelligent roller, etc.
OPERATING ENVIRONMENT	
Operation Temperature/ Humidity	5°C to 40°C/0% to 90%(non-condensing)
Storage Temperature/ Humidity	-20°C to 60°C/10% to 90%(non-condensing)
Operation Power	220VAC(±10%) 50±3Hz (Optional: 100VAC,110VAC,120VAC,200VAC)
UPS	Options: 15mins, 30mins, 60mins etc
COMPUTER AND OTHER	
Monitor	High Resolution Color, 1280 x 1024 LCD 17" inch
RAM	4GB
Hard Disk	2TB
Keyboard	Special designed + Normal keyboard
System	Windows 10
Electric Roller	Single-phase
COMPLIANCE	
International	<ul style="list-style-type: none"> • ISO19001; ISO14001; OHSMS18001; • CE RoHS • FDA FCC

Dimensions (mm)



*Product specifications and availability are subject to change without notice.