

2MEWC04-IP4KZ

8MP IP Motorized Infrared Bullet Camera with Water Cooling Explosion Proof Housing - 304 Stainless Steel



Features

- Day/night functionality
- Optical glass window with higher light transmittance
- IR anti-reflection window to increase the infrared transmittance
- Smart IR, up to 50m (164ft) IR distance
- Up to 120 dB Optical WDR (Wide Dynamic Range)
- 2D/3D DNR (Digital Noise Reduction)
- Ultra 265, H.265, H.264, MJPEG
- Triple streams
- ROI (Region of Interest)
- 9:16 corridor mode
- ONVIF Conformance
- Support PoE power supply
- Wide temperature range: -35°C ~ 60°C (-31°F ~ 140°F)
- Wide voltage range of ±25%
- IP67
- 3-Axis Constructed of stainless steel 304
- IP68 ingress protection
- Water cooling system
- 2x G3/4 or NPT3/4 cable entries
- Can be wall or pole mounted

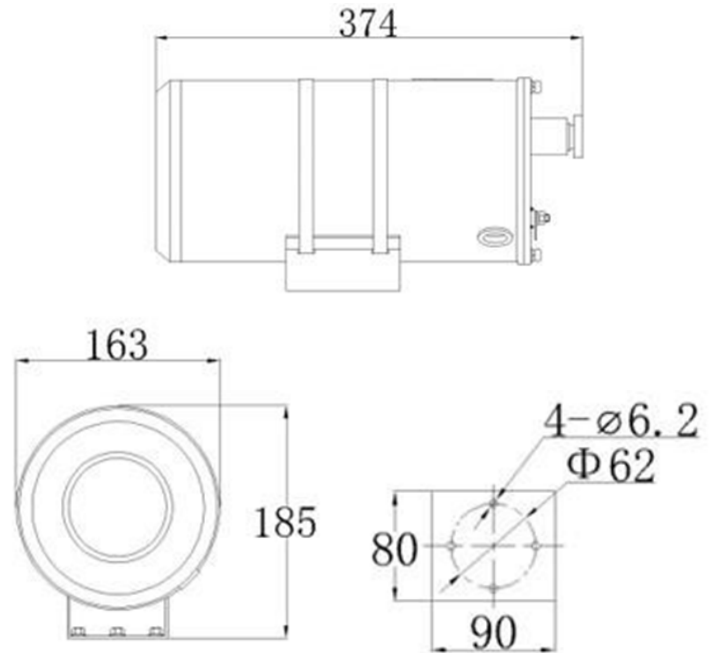
CERTIFICATES					
Certificate Mark	ExdIIIC T5 GB/DIP A20 TA, T5				
MECHANICAL					
Housing	Stainless steel 304 (also available in 316L)				
IP	IP68				
Cable Thread Hole	2pcs G3/4 or NPT3/4				
ELECTRICAL					
Voltage	AC85V~AC265V or DC24V or AC24V				
Power	15W				
AMBIENT					
Ambient Temperature	Water cooling: 0°C – to +250°C [32 °F – 482°F]				
Air Pressure	80Kpa to 106Kpa				
Relative Humidity	≤95% (no condensation)				
GENERAL					
Size	374 x 163 x 185 (mm) 14.8" x 6.4" x 7.3" (in)				
Housing Inner Size	260 x 80 x 80 (mm) 10.2" x 3.1" x 3.1" (in)				
Weight	9.1kg (20.1 lbs)				
Mounted	wall, pole				
Wall Bracket	2MEWB04 (304); 2MEWB16 (316L)				
CAMERA					
Image Sensor	1/2", 8.0 megapixel, progressive scan, CMOS				
Lens	2.8 ~ 12mm, AF automatic focusing and motorized zoom lens				
DORI Distance	Lens (mm)	Detect (m)	Observe (m)	Recognize (m)	Identify (m)
	2.8	63	25.2	12.6	6.3
	12	270	108	54	27
Angle of View (H)	114.8° ~ 47.3°				
Angle of View (V)	75.3° ~ 20.4°				
Angle of View (O)	141.2° ~ 55.8°				
Adjustment angle	Pan: 0° ~ 360°; Tilt: 0° ~ 90°; Rotate: 0° ~ 360°				
Shutter	Auto/Manual, 1 ~ 1/100000s				
Minimum Illumination	Color: 0.003Lux (F1.5, AGC ON) 0Lux with IR on				
Day/Night	IR-cut filter with auto switch (ICR)				
Digital noise reduction	2D/3D DNR				
S/N	>52dB				
IR Range	Up to 50m (164ft) IR range				
Defog	Digital Defog				
WDR	120dB				

2MEWC04-IP4KZ

8MP IP Motorized Infrared Bullet Camera with Water Cooling Explosion Proof Housing - 304 Stainless Steel

VIDEO	
Video Compression	Ultra 265, H.265, H.264, MJPEG
Frame Rate	Main Stream: 8MP (3840*2160), Max 20fps; 5MP (2592*1944), Max 30fps; 5MP (2944*1656), Max 30fps; 4MP (2560*1440), Max 30fps; 2MP (1920*1080), Max 30fps; Sub Stream: 2MP (1920*1080), Max 30fps; Third Stream: D1 (720*576), Max 30fps
9:16 Corridor Mode	Supported
HLC	Supported
BLC	Supported
OSD	Up to 8 OSDs
Privacy Mask	Up to 8 areas
ROI	Up to 8 areas
Motion Detection	Up to 4 areas
AUDIO	
Audio Compression	G.711
Two-way audio	Supported
Suppression	Supported
Sampling Rate	8KHZ
STORAGE	
Edge Storage	Micro SD, up to 256GB
Network Storage	ANR
NETWORK	
Protocols	IPv4, IGMP, ICMP, ARP, TCP, UDP, DHCP, PPPoE, RTP, RTSP, RTCP, DNS, DDNS, NTP, FTP, UPnP, HTTP, HTTPS, SMTP, 802.1x, SNMP, QoS
Compatible Integration	ONVIF (Profile S, Profile G, Profile T), API
Audio I/O	Audio cable Input: impedance 35kΩ; amplitude 2V [p-p] Output: impedance 600Ω; amplitude 2V [p-p]
Alarm I/O	1/1
Network	1 RJ45 10M/100M Base-TX Ethernet
Video Output	1 BNC, impedance 75Ω; amplitude 1V [p-p]
NETWORK	
Power	DC 12V±25%, PoE (IEEE 802.3af)
Power Consumption	Max 10W
Dimensions (L x W x H)	253.4 x 86.4 x 78.7mm (57.6" x 3.4" x 2.8")
Weight	1.0kg (2.2lb)
Working Temperature	-35°C ~ 60°C (-31°F ~ 140°F),
Working Humidity	≤95% RH (non-condensing)
Ingress Protection	IP67

Dimensions



Dimensions in mm

Optional Accessories



Wall Bracket	2MEWB04 (304); 2MEWB16 (316L)
---------------------	-------------------------------

ATEX Markings Breakdown

