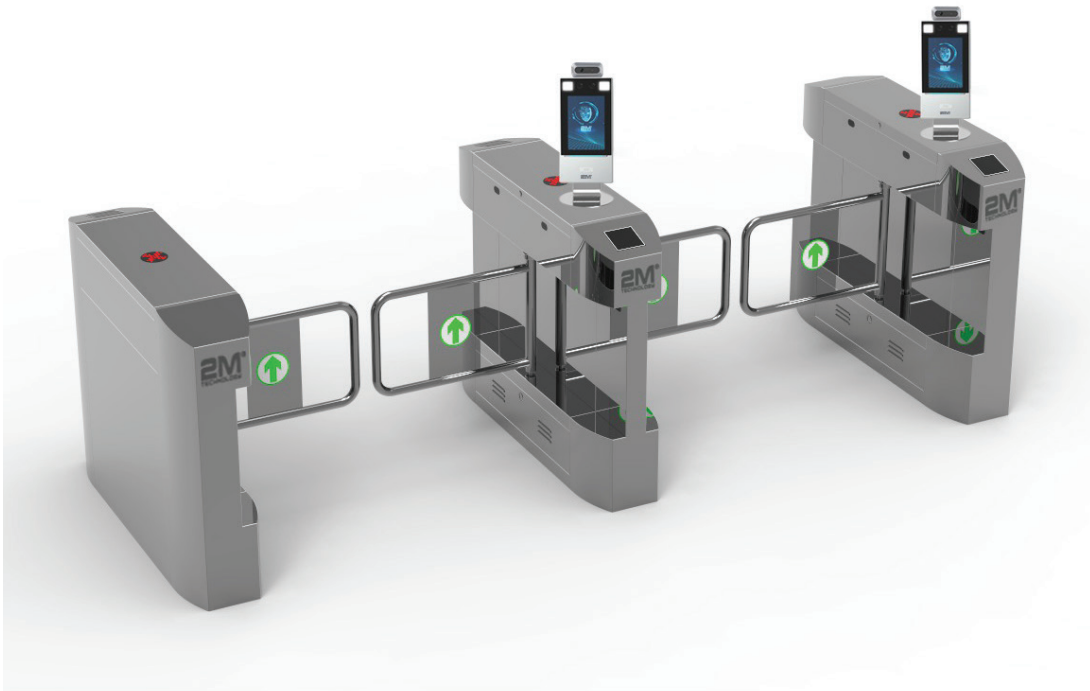


2MMST-6 FLAP TURNSTILE

User Manual



Swing Turnstile Gate Parameter Description

Features

1. The intelligent flap gate is an upgrade for the intelligent tripod turnstile gate and swing gate. The intelligent flap gate is mainly a high-tech product for intelligent management of personnel channels. The product has better processing, complete functions and high grade materials.

2. Smart turnstile gates are mainly used in high-end residential areas, office buildings, hotels, sea ports, subways and other areas which need security. The transmission part of the intelligent flap gate is made with imported raw materials connecting rod transmission, which has no mechanical friction and makes for a longer lifespan of the machine. Aesthetic look helps it fit in seamlessly with any decor, durable anti-rust shell, external standard electrical interface. The flap gate can easily be integrate with most commercial security card, QR code, fingerprint readers or face recognition modules, through the selection of various identities recognize system equipment and reliable safety protection devices, alarm devices, direction indications, etc. The flap gates coordinate to realize intelligent control and management of the turnstile to provide an orderly way for people to enter and exit. The flap gates can also prevent illegal personnel from going and out. Flap gate opens automatically during an emergency to ensure unobstructed passage and facilitate a timely evacuation of personnel.

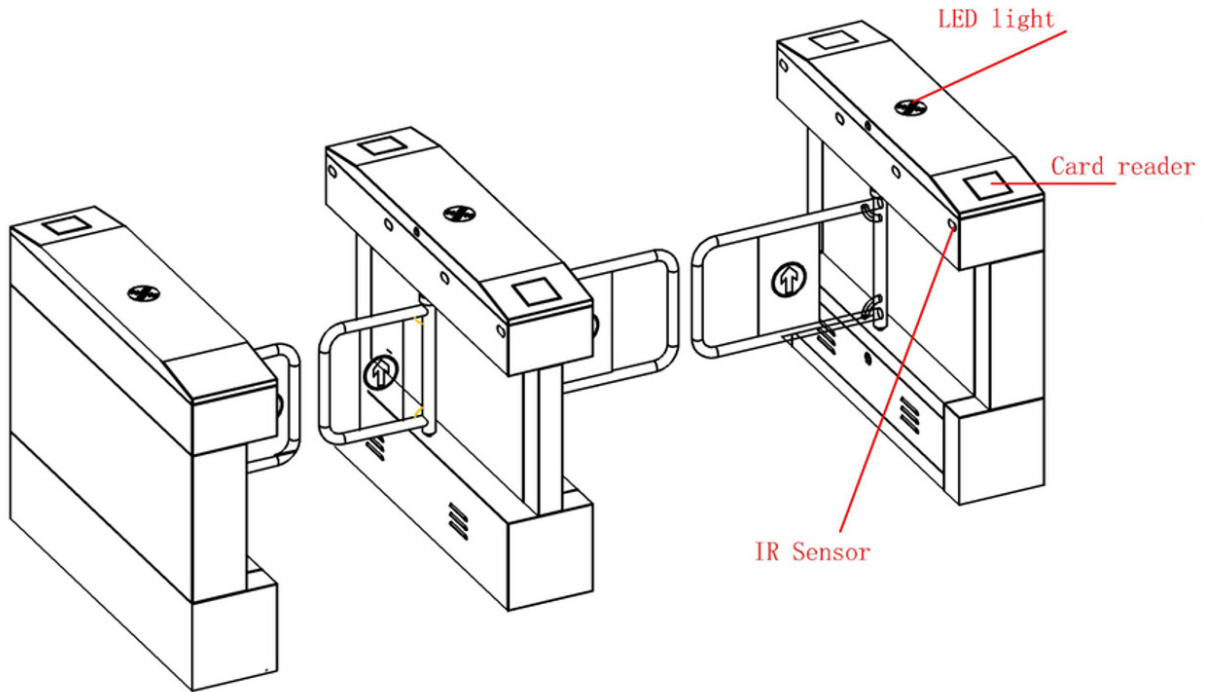
Technical Parameters

Dimensions	1200 x 280 x 1000 (mm)
Material	SU304 stainless steel
Thickness	1.5mm
Process	Bright brushed material
Channel Width	Standard 600mm, 900mm for disable
Traffic Mode	Single directional/bidirectional
Control Software	Access control attendance system/ electronic ticketing system/ consumption system, etc. Its depend on whats controller install
Read and Write Method	ID card/IC card/National ID card/ fingerprint, face recognition/QR code/ static tester
Working Environment	Indoor/outdoor (recommended for shelter)
Power Supply	AC200V/AV110V (optional) 50HZ
Working Environment Temperature	-25°C to 65°C
Working Humidity	Less than 95%, non-condensing
Traffic Speed	40/min
Input Interface	Digital signal
Communication Interface	RS485/TCPIP

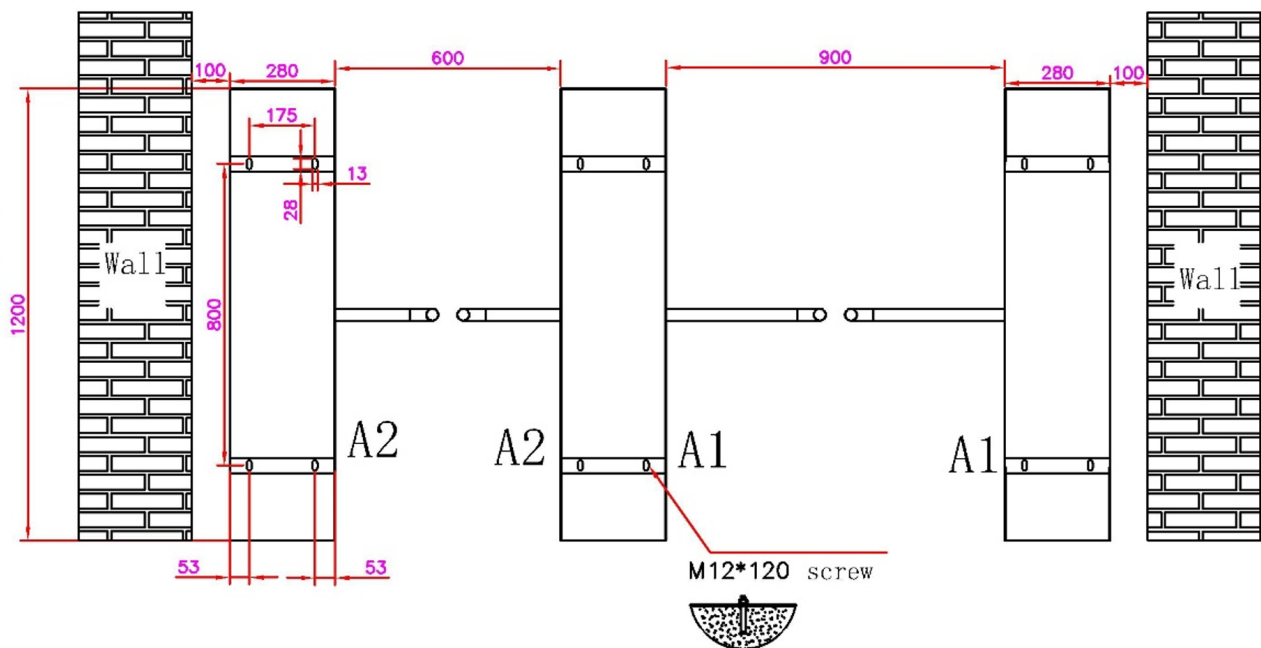
Extensible: personnel counting function, voice alarm function, camera snapshot function, etc.
 Adapted to the office space: commercial buildings, government agencies, etc.; Science and education units: colleges, research institutes, libraries, etc.;

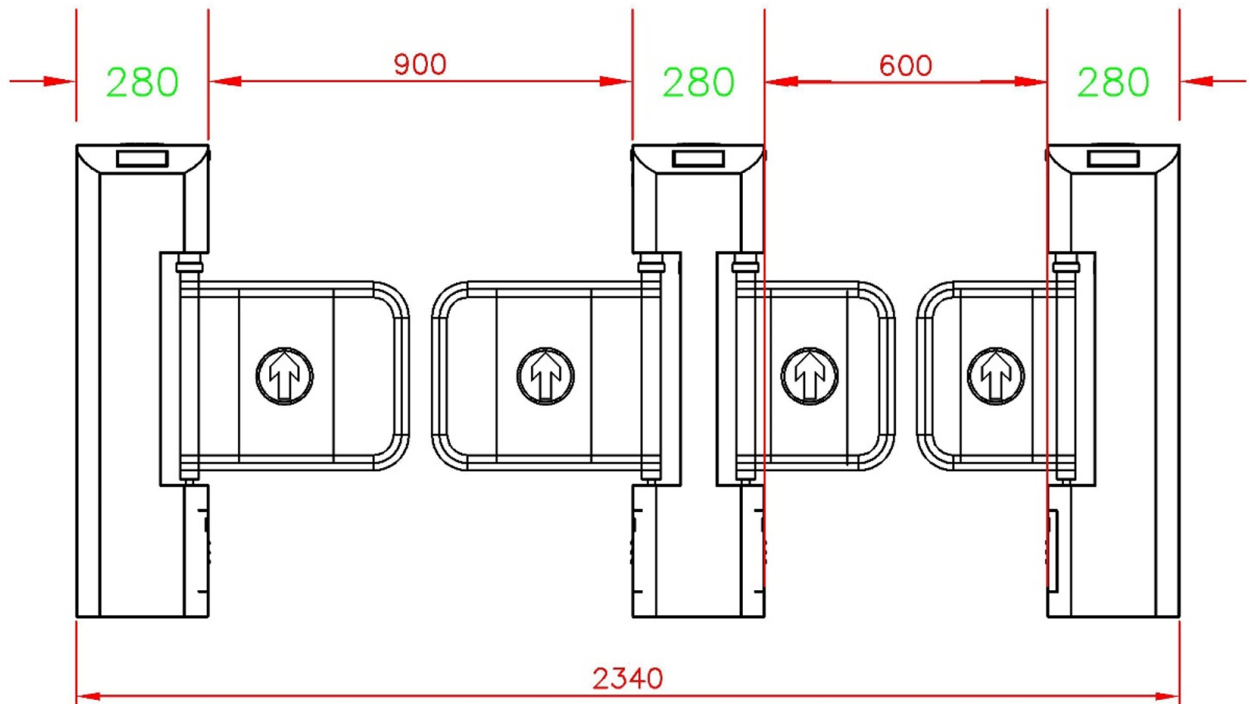
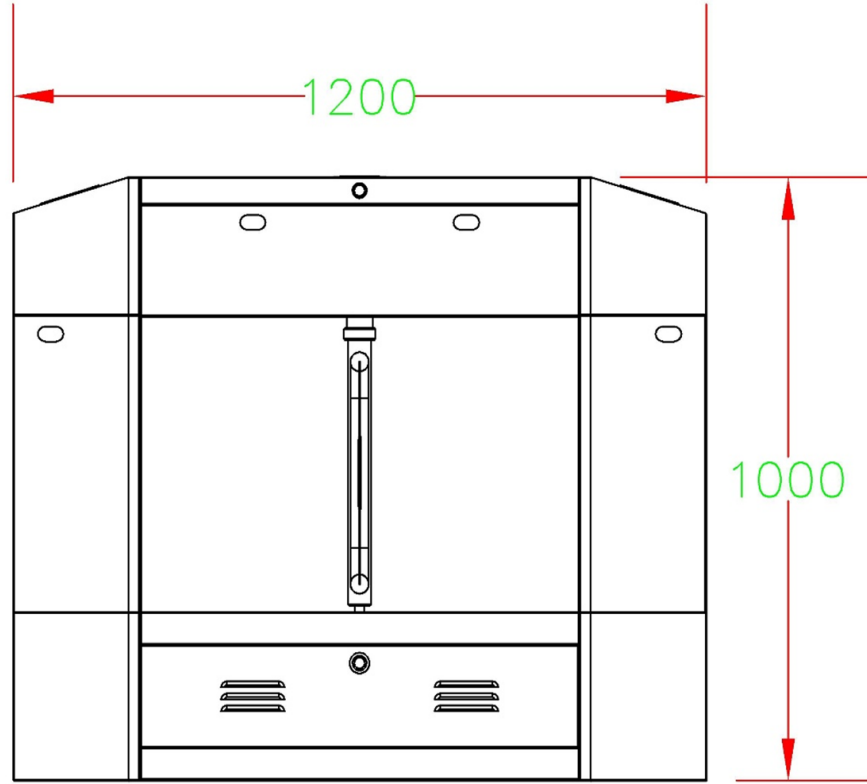
Business service places: supermarkets, shopping malls, hotels, clubs, banks, etc.; Leisure and entertainment places: parks, scenic spots, playgrounds, etc.

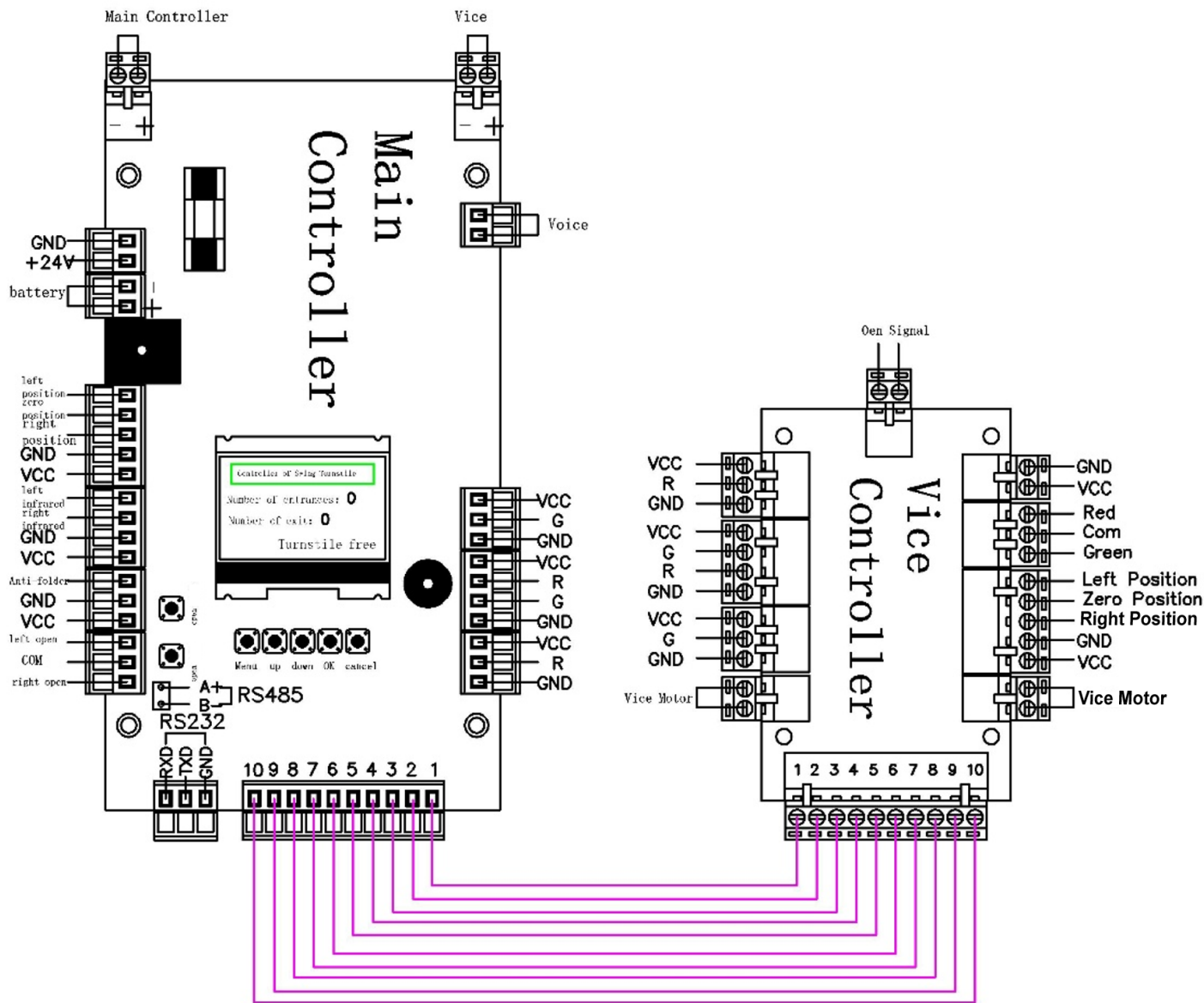
Transportation stations: bus station, railway station, subway station, airport, etc.



Size & Installation Diagram







Menu Setting Instructions

When powered on, the default status is displayed

“Working Mode” – Swing Gate, Open Gate, Wing Gate Three Working Modes
Entry/Exit count.

There are 5 operation buttons on the control panel, “menu” “up” “down” “OK” “cancel”.

Menu Operation

Press the “menu” button, enter the password: up up down down up down. Enter the 6-digit password, press “OK” to enter the menu. Then press “up” and “down” to select a function menu and press “OK” to enter subsystem or numerical change interface, press “up” or “down” key to select or adjust to the corresponding value.

Example: To change the turnstile work mode: Enter the menu and select “startstile work mode” in the menu - press “OK” (display the current mode of operation) - then press “OK” to enter the modified value

interface - press "up" or "down" for Select - Press" OK "to modify success - press" Cancel "to exit after setting (if not press the cancel button, the system will automatically exit after 15 seconds).

A. System Menu Description:

1. **"Entrance and Exit Direction Configuration"**: Set the left direction side of the gate for the entrance or exit; gate right direction for the entrance or exit.
2. **"Entrance and Access Configuration"**: Set both sides of the gates (entrance and exit) to allow access. When set to disable the gate LED signal is invalid.
3. **"Gates Work Mode"** Choose the method to open the gate. Choose infrared sensor or card.
4. **"Entrance/Exit Memory Function Configuration"** If set memory function, means tap card 10 times, the gate will open 10 times; without set memory function, after tapping the card 10 times continuously, the gate will only open once
5. **"Entrance Opening Time"** After tap card, the gate will open waiting for pass. Factory set 10 second. Gate will close automatic after 10 second if no one pass after tap card.
6. **"Counter Reset"** Clear the count of entry / exit passes on controller LED.
7. **"Equipment Number"** The device ID number on the control panel. Used to update program.
8. **"Device Information"** Displays the basic information of the control panel, such as type, model and other information
9. **"Gate Type"** Set the type of gates, a total of three types of **"Wing Gate"**, **"Swing Gate"** (pendulum), **"Swing Gate"**; what is the gate should be set to the appropriate type to work properly.
10. **"System Initialization"** Initialize the control board parameters, after the initialization, the control panel parameters to restore the factory settings.
11. **"Passwords On the Left"** Set the left direction voice, Such as: from the left direction voice play "Welcome".
12. **"Right Pass Voice"** Set the right direction voice. Such as: the right direction voice play "have nice trip"
13. **"Test Voice"** Automatically play the control panel inside the voice, after playing automatically exit. **"Broken Voice"** Left and right in and out of non-tap card state trigger the voice of infrared alarm.
14. **"Motor Speed"** Set motor running speed, the smaller value means slower.
15. **"Maximum Motor Running Time"** Set the maximum time for the motor to run at a time, (when the control board fails due to external detection or there is no original signal) To prevent the motor from idling all the time, the default is 10S.
16. **"Delayed Closing Time"** After pass the last infrared delay time to close door, (the value 1 means delay 1 second, the larger the value, the longer the door-closing time is, the longer the time is)
17. **"Power Off And Open The Door Setting"** It can be set to open the gate to the left direction or to the right direction when the power off.

18. "Illegal Break-in Operation" When door is closing, it is used to set that someone intrudes in the opposite direction and the gate will automatically close. If the gate is not closed, it is used to set that someone intrudes in the opposite direction and the gate does not close.

20. "Gate Normally Open Setting" The door relay output signal time is longer than the value set in controller. The gate is normally open for longtime.

21. "Tap Card Settings When Alarming" You can tap card when setting an alarm, or can set it not allow tap card when alarming.

22. "Turn Gate Test" The turnstile enters an aging test mode.



Problems Encountered In Gate Maintenance/Installation

The maintenance and repair of the movement

1. Regularly lubricate the "gear", "rocker arm" and "slide rail" transmission positions of the movement to ensure that the brakes reduce wear during long-term operation, thereby extending the use of the transmission parts of the turnstile life. (Under normal circumstances, the last lubricating oil is quarterly, and the actual situation is based on the on-site use situation.)

2. Replacement of the motor: first power off the machine, then take out the four M8 hex screws fixing the motor frame in the movement, then take out the hex sockets of the M5 fixing the motor frame and the motor, and take out the new motor Fix the hexagon socket screws in the same way.

Installation and debugging:

1. The gate does not close after powered on: Check if the anti-pinch infrared in the infrared layout of the gate is aligned. When the infrared hair is aligned and there is no obstruction, the infrared signal light is not bright; If the infrared signal remains on when there is no obstruction, the infrared position needs to be adjusted manually until the infrared signal is off.
2. Alarm stays on when gate is powered on: Make sure the infrared is aligned. When the infrared is aligned and there is no obstruction, the infrared signal light is not bright; If the infrared signal is always on when there is no obstruction, the infrared position needs to be adjusted manually until the infrared signal is off.
3. The gate does not open when the power is off: Ensure the battery wire on the gate is plugged in (The cable could have come off due to handling during transportation or the battery line was not plugged-in before leaving the factory), and then plug in the battery line after the gate installation and debugging is completed.
4. Replacing the sensor on the gate: First power off the gate and find the sensor to be replaced, cut the sensor line at least +/- 15cm from the sensor and then cut off each cable. Make sure to attach cables to their corresponding color.
5. Make sure the gate is grounded.



802 Greenview Dr. Suite 200,
Grand Prairie TX. 75050 USA
Toll Free: 1-866-708-5401
sales@2MTechnology.net