



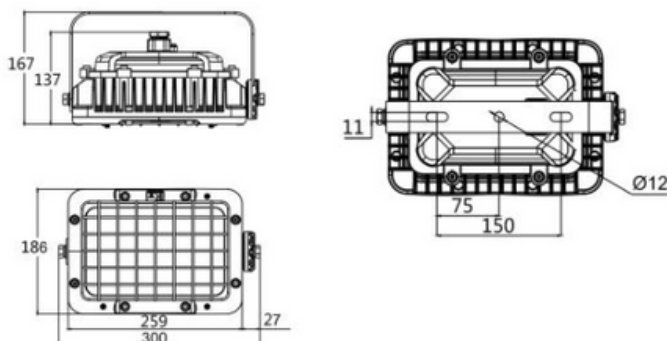
### Features

- Input Voltage: AC 100-270V
- LED Source: Cree
- PF: >0.95
- CRI: >75 Ra
- IP Rating: IP66
- Lumen Flux: 120 Lm/w
- Anti-Corrosion: WF2
- Weight: 3.8 kg / 8.3 lbs
- Ex-Proof Grade: Ex d IIC T6

### Models Available

MODEL	WATTAGE
2M-EXI8189-40	40W
2M-EXI8189-60	60W
2M-EXI8189-70	70W

### Dimensions



### Specifications

#### GENERAL SPECIFICATIONS

<b>Rated Voltage</b>	AC 220V
<b>Power</b>	70W
<b>Frequency</b>	50/60 Hz
<b>Light Efficiency</b>	120 lm
<b>Power Factor</b>	>0.95 PF
<b>Operating Temperature</b>	-30~50°C / -22~122°F
<b>Storage Temperature</b>	-30~50°C / -22~122°F
<b>Protection Level</b>	IP66
<b>Lighting Angle</b>	15/25/36/45/60/90/120°
<b>Light Source</b>	LED
<b>Correlate Color Temperature</b>	3000-6500 K
<b>Color Rendering Index</b>	≥70 Ra
<b>LED Quantity</b>	95 pcs
<b>Base Specifications</b>	CREE3030
<b>LED's Operating Life</b>	100,000 hrs
<b>Start-Up Time</b>	≤0.2 s
<b>Anti-Corrosion Grade</b>	WF2
<b>Explosion-Proof Grade</b>	Ex d e mb IIC B T6
<b>Executive Standard</b>	GB3836.1 / GB3836.2
<b>Weight</b>	3.8 kg / 8.3 lbs
<b>Size</b>	300 x 186 x 137 mm / 11.8" x 7.3" x 5.3" in
<b>Packaging Size</b>	25 x 25 x 22.3 cm / 9.8" x 9.8" x 8.8" in
<b>Gross Weight</b>	5 kg / 11 lbs

### Light Distribution

