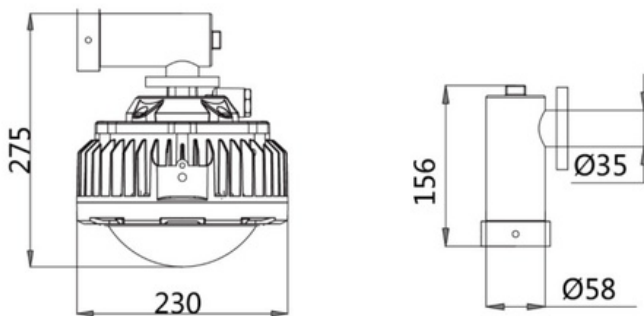




### Features

- Configuration: LED light source, the average service life is as long as 100,000 hours. The power supply uses a wide voltage processing, which can realize constant current output, has short circuit and over voltage protection functions, and greatly prolongs the service life of lamps and lanterns.
- Heat Dissipation: The radiator adopts an integrated streamlined structure, which can better increase heat conduction. The radiator is arranged in an internal and external circular array to improve its heat dissipation performance.
- Anti-Glare: Toughened glass cover (options: transparent or frosted) anti-impact, uniform lighting to minimize shadows. Light transmittance up to 95-98%, suitable for various low-roof, platform, high roofs, and other places as fixed lighting.
- Protection: IP66 protection level, corrosion protection level can reach WF2, the surface of the lamp body will never corrode, never rust.
- Installation Mode: It can adopt many kinds of installation modes such as law fence street lamp and guardrail street lamp according to the needs.

### Dimensions



### Specifications

#### GENERAL SPECIFICATIONS

<b>Rated Voltage</b>	AC 220V
<b>Power</b>	60W
<b>Protection Level</b>	IP66
<b>Light Angle</b>	120°
<b>LED Quantity</b>	80 pcs
<b>Base Specifications</b>	CREE3030
<b>Anti-Corrosion Grade</b>	WF2
<b>Explosion-Proof Grade</b>	Ex d IIC T6
<b>Light Efficiency</b>	120 lm/W
<b>Frequency</b>	50/60 Hz
<b>Power Factor</b>	>0.95 PF
<b>Storage Temperature</b>	-30~50°C / -22~122°F
<b>Light Source</b>	LED
<b>Correlate Color Temperature</b>	3000-6500 K
<b>Color Rendering Index</b>	≥70 Ra
<b>LED's Operating Life</b>	100,000 hrs
<b>Start-Up Time</b>	≤0.2 s
<b>Weight</b>	7.6 kg / 16.8 lbs
<b>Size (Dia. x H)</b>	Ø 230 x 275 mm / Ø 9" x 10.8" in

### Models Available

MODEL	WATTAGE
2M-EX08231-50	50W
2M-EX08231-60	60W
2M-EX08231-80	80W
2M-EX08231-90	90W

### Light Distribution

