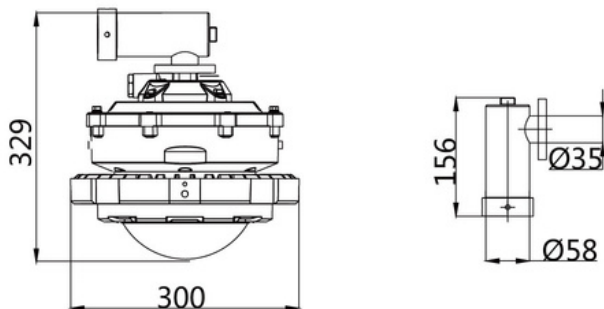




### Features

- Configuration: LED light source, the average service life is ~100,000 hours. The wide voltage power supply can operate continuously current, it also has safety features to protect against a power surge.
- Heat Dissipation: The casing is engineered to efficiently dissipate heat and avoid dust accumulation.
- Anti-Glare: A strong glass cover (available in clear or frosted finish) is impact resistant, anti-glare and diffuses the light evenly to minimize shadows, up to 95-98% light transmittance capacity.
- Installation Mode: Easy to install, the fixture can be mounted in various configurations to include: fence or guardrail street lamp.
- Inlet Port: Series and parallel connection can be configured by using the double inlet design. The power supply and the wiring are separated which makes the installation and wiring easier and safe.

### Dimensions



### Specifications

#### GENERAL SPECIFICATIONS

<b>Rated Voltage</b>	220V
<b>Power</b>	100W
<b>Protection Level</b>	IP66
<b>Light Angle</b>	120°
<b>LED Quantity</b>	155 pcs
<b>Base Specifications</b>	CREE3030
<b>Anti-Corrosion Grade</b>	WF2
<b>Explosion-Proof Grade</b>	Ex d IIC T6
<b>Light Efficiency</b>	120 lm/W
<b>Frequency</b>	50/60 Hz
<b>Power Factor</b>	>0.95 PF
<b>Storage Temperature</b>	-30~50°C / -22~122°F
<b>Light Source</b>	LED
<b>Correlate Color Temperature</b>	6000-6500 K
<b>Color Rendering Index</b>	≥70 Ra
<b>LED's Operating Life</b>	100,000 hrs
<b>Start-Up Time</b>	≤0.2 s
<b>Weight</b>	7.6 kg / 16.8 lbs
<b>Size (Dia. x H)</b>	Ø 300 x 275 mm / Ø 11.8" x 10.8" in

### Models Available

MODEL	WATTAGE
<b>2M-EX08232-100</b>	100W
<b>2M-EX08232-120</b>	120W
<b>2M-EX08232-150</b>	150W

### Light Distribution

