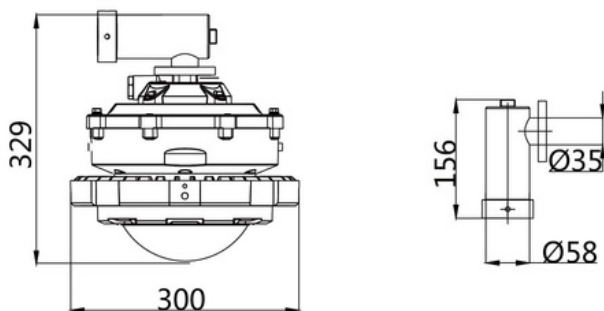




Features

- Configuration: LED light source, the average service life is ~100,000 hours. The wide voltage power supply can operate continuously current, it also has safety features to protect against a power surge.
- Heat Dissipation: The casing is engineered to efficiently dissipate heat and avoid dust accumulation.
- Anti-Glare: A strong glass cover (available in clear or frosted finish) is impact resistant, anti-glare and diffuses the light evenly to minimize shadows, up to 95-98% light transmittance capacity.
- Installation Mode: Easy to install, the fixture can be mounted in various configurations to include: fence or guardrail street lamp.
- Inlet Port: Series and parallel connection can be configured by using the double inlet design. The power supply and the wiring are separated which makes the installation and wiring easier and safe.

Dimensions



Specifications

GENERAL SPECIFICATIONS

Rated Voltage	220V
Power	120W
Protection Level	IP66
Light Angle	120°
LED Quantity	155 pcs
Base Specifications	CREE3030
Anti-Corrosion Grade	WF2
Explosion-Proof Grade	Ex d IIC T6
Light Efficiency	120 lm/W
Frequency	50/60 Hz
Power Factor	>0.95 PF
Storage Temperature	-30~50°C / -22~122°F
Light Source	LED
Correlate Color Temperature	6000-6500 K
Color Rendering Index	≥70 Ra
LED's Operating Life	100,000 hrs
Start-Up Time	≤0.2 s
Weight	7.6 kg / 16.8 lbs
Size (Dia. x H)	Ø 300 x 275 mm / Ø 11.8" x 10.8" in

Models Available

MODEL	WATTAGE
2M-EX08232-100	100W
2M-EX08232-120	120W
2M-EX08232-150	150W

Light Distribution

